

## Rubber profiles don't just come in standard shapes.

The fact is that the majority of profiles we manufacture are specially developed for a wide variety of applications. They are incorporated in machines, equipment and vehicles, where they fulfil the most diverse of functions. They can seal, absorb shock, insulate, reduce vibration or serve as a decorative covering over a joint.

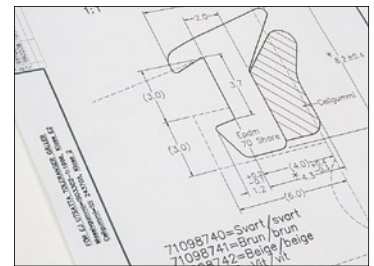
## Special solutions.

The installation or fixing of profiles often turns out to be the biggest problem. We have therefore developed manufacturing methods for producing dual component strips. The fixing section is made of a harder material than the sealing section.

Combinations of solid and cellular rubber, and profiles in a range of colours are also possible.

Another of our specialties is self-adhesive profiles. These are strips of either cellular rubber or solid rubber with a backing of reinforced double-sided adhesive tape.

Our solid rubber profiles can also incorporate a fibreglass cord to prevent the strip from stretching during fitting. This is particularly useful for mechanical fitting.



## The ideal solutions.

Experience has shown us that close collaboration between our engineers and the customer's engineers at an early stage of development work gives the best results.

This often means better performance at lower cost. Don't hesitate to contact us even if your products are only at the conceptual stage.

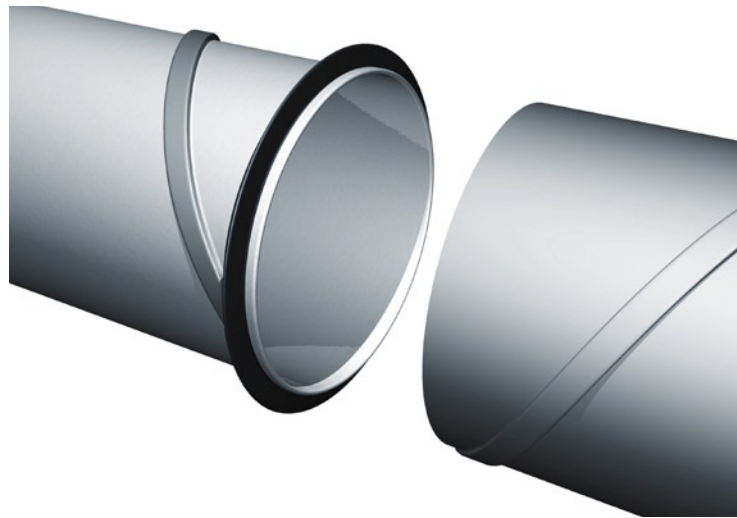
## We have plenty of good ideas.

With experience of solving hundreds of problems you can gain the benefit of our know-how in designing the right specialist profile. Profile dies are manufactured to the greatest possible accuracy using computer-controlled wiring machines.

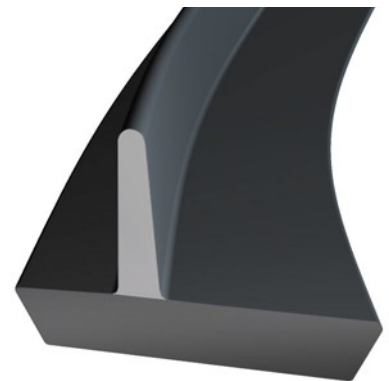
We can also manufacture profiles in precisely the grade of rubber that is needed to give a profile the desired properties.



## Ventilation strip I



Strip made from black EPDM rubber, inject moulded to form rings.  
Used for sealing between units in ventilatic systems.



Single component, with antifriction treatment

Product no.	For pipe Ø mm	Each length mm	Tolerance on length	Pack.	Pack. qty.
46090721	80	206	± 2,5	Box	1000
<b>46090722</b>	<b>100</b>	<b>263</b>	± 3,2	<b>Box</b>	<b>1000</b>
<b>46090723</b>	<b>125</b>	<b>334</b>	± 3,2	<b>Box</b>	<b>1000</b>
<b>46090724</b>	<b>160</b>	<b>432</b>	± 4,0	<b>Box</b>	<b>800</b>
<b>46090725</b>	<b>200</b>	<b>515</b>	± 4,0	<b>Box</b>	<b>750</b>
<b>46090726</b>	<b>250</b>	<b>649</b>	± 5,0	<b>Box</b>	<b>750</b>
<b>46090727</b>	<b>315</b>	<b>822</b>	± 5,0	<b>Box</b>	<b>500</b>
46090728	400	1041	± 6,3	Box	500
46090729	500	1295	± 6,3	Box	250
46090730	630	1630	± 10,0	Box	250
46090731	800	2069	± 10,0	Box	250
46090732	1000	2579	± 12,5	Box	200
46090733	1250	3230	± 12,5	Box	200

**In bold = Stock item**  
Not stock item

Dual component, with antifriction treatment

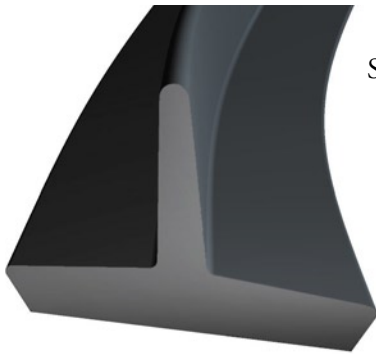
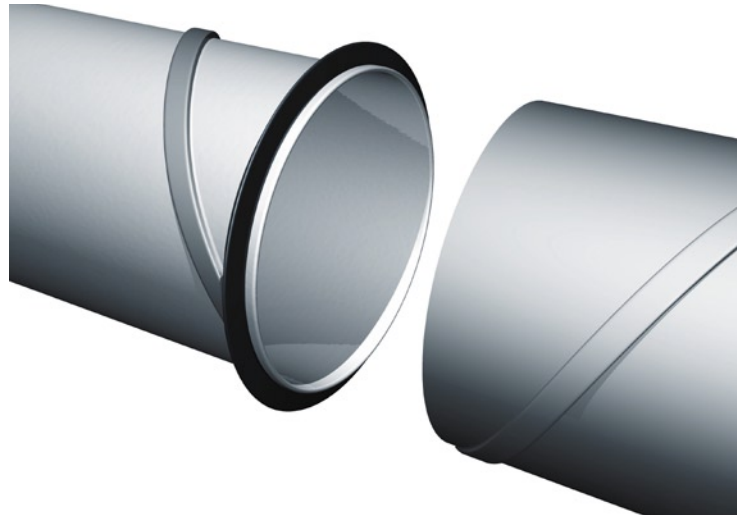
Product no.	For pipe Ø mm	Each length mm	Tolerance on length	Pack.	Pack. qty.
70090741	80	206	± 2,5	Box	1000
<b>70090742</b>	<b>100</b>	<b>263</b>	± 3,2	<b>Box</b>	<b>1000</b>
<b>70090743</b>	<b>125</b>	<b>334</b>	± 3,2	<b>Box</b>	<b>1000</b>
<b>70090744</b>	<b>160</b>	<b>432</b>	± 4,0	<b>Box</b>	<b>800</b>
<b>70090745</b>	<b>200</b>	<b>515</b>	± 4,0	<b>Box</b>	<b>750</b>
<b>70090746</b>	<b>250</b>	<b>649</b>	± 5,0	<b>Box</b>	<b>750</b>
<b>70090747</b>	<b>315</b>	<b>822</b>	± 5,0	<b>Box</b>	<b>500</b>
70090748	400	1041	± 6,3	Box	500
70090749	500	1295	± 6,3	Box	250
70090750	630	1630	± 10,0	Box	250
70090751	800	2069	± 10,0	Box	250
70090752	1000	2579	± 12,5	Box	200
70090753	1250	3230	± 12,5	Box	200

**In bold = Stock item**  
Not stock item

Dual component with hard backing ring which replaces gluing or mechanical fixing.



## Ventilation strip II



Strip made from black EPDM rubber, injection-moulded to form rings.  
Used for sealing between units in ventilation systems.



Single component, with antifriction treatment

Product no.	For pipe Ø mm	Each length mm	Tolerance on length	Pack.	Pack. qty.
46090681	80	206	± 2,5	Box	1000
<b>46090682</b>	<b>100</b>	<b>263</b>	± 3,2	<b>Box</b>	<b>1000</b>
<b>46090683</b>	<b>125</b>	<b>334</b>	± 3,2	<b>Box</b>	<b>1000</b>
<b>46090684</b>	<b>160</b>	<b>432</b>	± 4,0	<b>Box</b>	<b>800</b>
<b>46090685</b>	<b>200</b>	<b>515</b>	± 4,0	<b>Box</b>	<b>750</b>
<b>46090686</b>	<b>250</b>	<b>649</b>	± 5,0	<b>Box</b>	<b>750</b>
<b>46090687</b>	<b>315</b>	<b>822</b>	± 5,0	<b>Box</b>	<b>500</b>
<b>46090688</b>	<b>400</b>	<b>1041</b>	± 6,3	<b>Box</b>	<b>500</b>
<b>46090689</b>	<b>500</b>	<b>1295</b>	± 6,3	<b>Box</b>	<b>250</b>
46090690	630	1630	± 10,0	Box	250
46090691	800	2069	± 10,0	Box	250
46090692	1000	2579	± 12,5	Box	200
46090693	1250	3230	± 12,5	Box	200

**In bold = Stock item**  
Not stock item

Dual component, with antifriction treatment

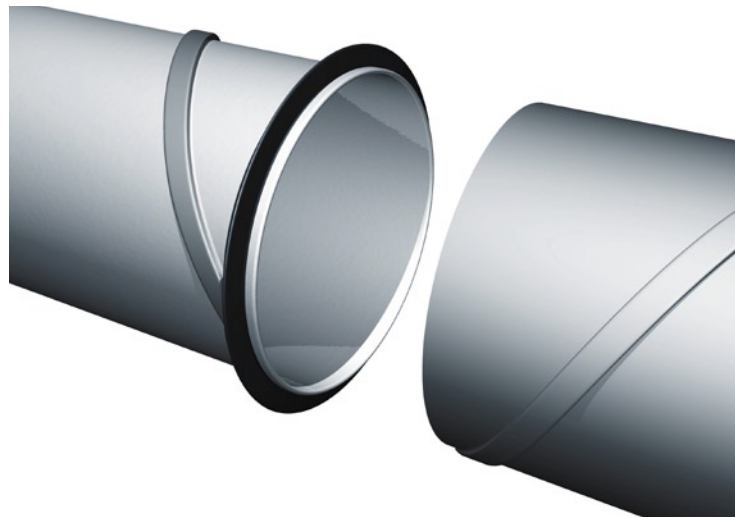
Product no.	For pipe Ø mm	Each length mm	Tolerance on length	Pack.	Pack. qty.
70090701	80	206	± 2,5	Box	1000
<b>70090702</b>	<b>100</b>	<b>263</b>	± 3,2	<b>Box</b>	<b>1000</b>
<b>70090703</b>	<b>125</b>	<b>334</b>	± 3,2	<b>Box</b>	<b>1000</b>
<b>70090704</b>	<b>160</b>	<b>432</b>	± 4,0	<b>Box</b>	<b>800</b>
<b>70090705</b>	<b>200</b>	<b>515</b>	± 4,0	<b>Box</b>	<b>750</b>
<b>70090706</b>	<b>250</b>	<b>649</b>	± 5,0	<b>Box</b>	<b>750</b>
<b>70090707</b>	<b>315</b>	<b>822</b>	± 5,0	<b>Box</b>	<b>500</b>
70090708	400	1041	± 6,3	Box	500
70090709	500	1295	± 6,3	Box	250
70090710	630	1630	± 10,0	Box	250
70090711	800	2069	± 10,0	Box	250
70090712	1000	2579	± 12,5	Box	200
70090713	1250	3230	± 12,5	Box	200

**In bold = Stock item**  
Not stock item

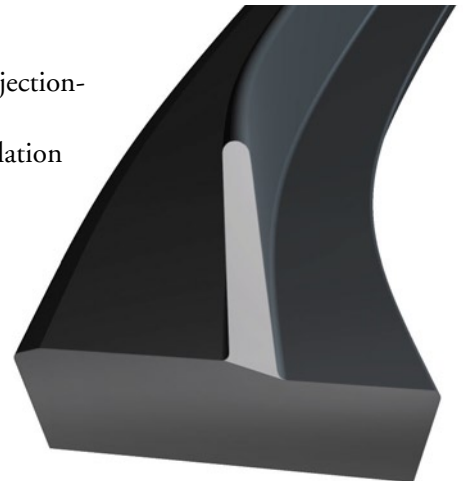
Dual component with hard backing ring which replaces gluing or mechanical fixing.



## Ventilation strip III



Strip made from black EPDM rubber, injection-moulded to form rings.  
Used for sealing between units in ventilation systems.



Single component, with antifriction treatment

Product no.	For pipe Ø mm	Each length mm	Tolerance on length	Pack.	Pack. qty.
46090661	315	913	± 5,0	Box	1000
46090662	400	1142	± 6,3	Box	1000
46090663	500	1433	± 6,3	Box	750
46090664	630	1733	± 10,0	Box	500
46090665	800	2225	± 10,0	Box	400
46090666	1000	2863	± 12,5	Box	300
46090667	1250	3503	± 12,5	Box	250

**In bold = Stock item**  
Not stock item

Dual component, with antifriction treatment

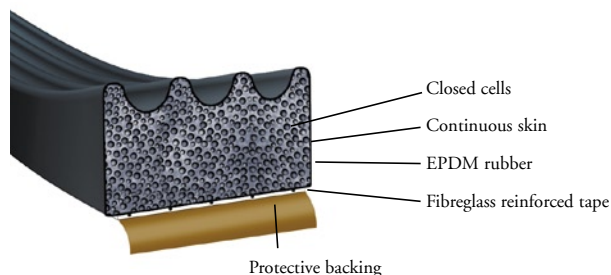
Product no.	For pipe Ø mm	Each length mm	Tolerance on length	Pack.	Pack. qty.
70090671	315	913	± 5,0	Box	1000
70090672	400	1142	± 6,3	Box	1000
70090673	500	1433	± 6,3	Box	750
70090674	630	1733	± 10,0	Box	500
70090675	800	2225	± 10,0	Box	400
70090676	1000	2863	± 12,5	Box	300
70090677	1250	3503	± 12,5	Box	250

**In bold = Stock item**  
Not stock item

Dual component with hard backing ring which replaces gluing or mechanical fixing.



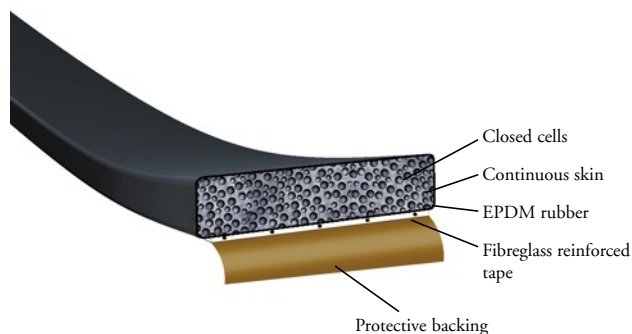
## EPDM cellular rubber, self-adhesive



### Trelleborg Crown strip

Trelleborg offers a whole range of joint tapes that are approved for use with double-glazing, for example. They may be used with or without a top seal in accordance with the regulations set out in MTK installation instructions. Trelleborg Crown strip is available in a range of sizes to suit various needs and applications.

- manufactured from EPDM cellular rubber with excellent resistance to cold, heat and ageing.
- ridged profile gives multi-point seal
- closed cells and continuous skin
- soft and resilient – easy to fit
- no joints
- fibreglass reinforced dual component tape



Product no.	Width x Height mm	Qty. m/roll	Colour	Pack. qty. m
<b>444191600</b>	8 x 2	200	Black	1200
<b>44085680</b>	8 x 3	200	Black	1200
<b>44000030</b>	9 x 3	100	Black	600
<b>44071425</b>	9 x 3	200	Black	1200
<b>44000020</b>	8 x 4	100	Black	600
<b>44055561</b>	9 x 4	100	Black	600
<b>44065551</b>	9 x 4	200	Black	—
<b>44060830</b>	10 x 4	100	Black	600
<b>44060833</b>	10 x 4	200	Black	—
<b>44000080</b>	20 x 4	50	Black	300
<b>44000040</b>	10 x 5	100	Black	600
444022405	9 x 3	200	Grey	1200
<b>44057255</b>	9 x 3	100	White	600
<b>44065556</b>	9 x 4	100	White	600
<b>44060834</b>	10 x 4	100	White	600
44055083	15 x 4	100	White	600
<b>44069944</b>	10 x 5	100	White	600
<b>44057658</b>	15 x 8	50	White	300

In bold = Stock item  
Not stock item

### Smooth surface

Product no.	Width x Height mm	Qty. m/roll	Colour	Pack. qty. m
<b>44061530</b>	8 x 2	200	Black	1200
<b>44068010</b>	8 x 2	200	White	1200
<b>44061421</b>	10 x 2	200	Black	1200
<b>44062550</b>	18 x 2	100	Black	600
<b>44062551</b>	18 x 2	100	White	600
<b>44062981</b>	8 x 3	100	Black	600
<b>44062991</b>	10 x 3	100	Black	600
<b>44063001</b>	8 x 4	100	Black	600
<b>44063011</b>	10 x 4	100	Black	600

In bold = Stock item  
Not stock item



In bold = Stock item  
Not stock item